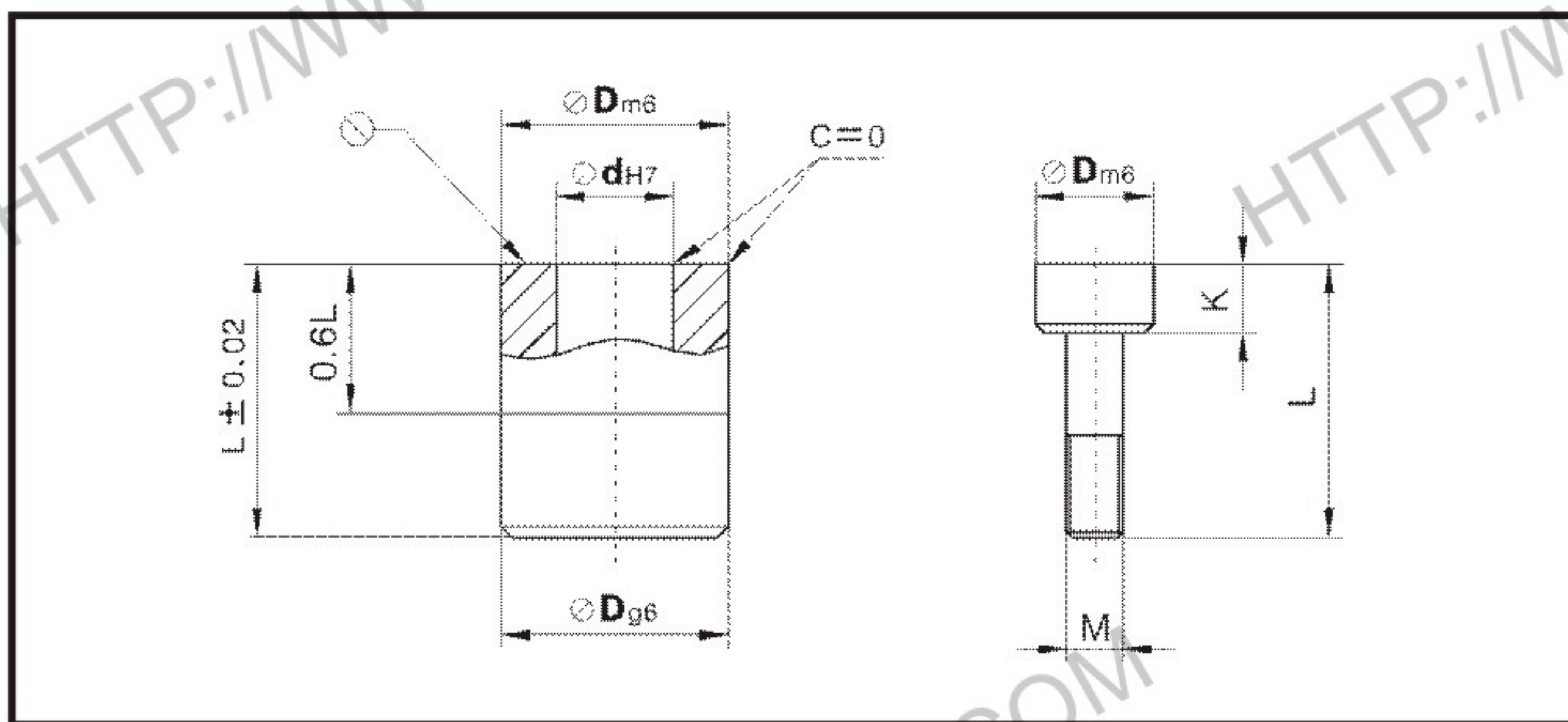
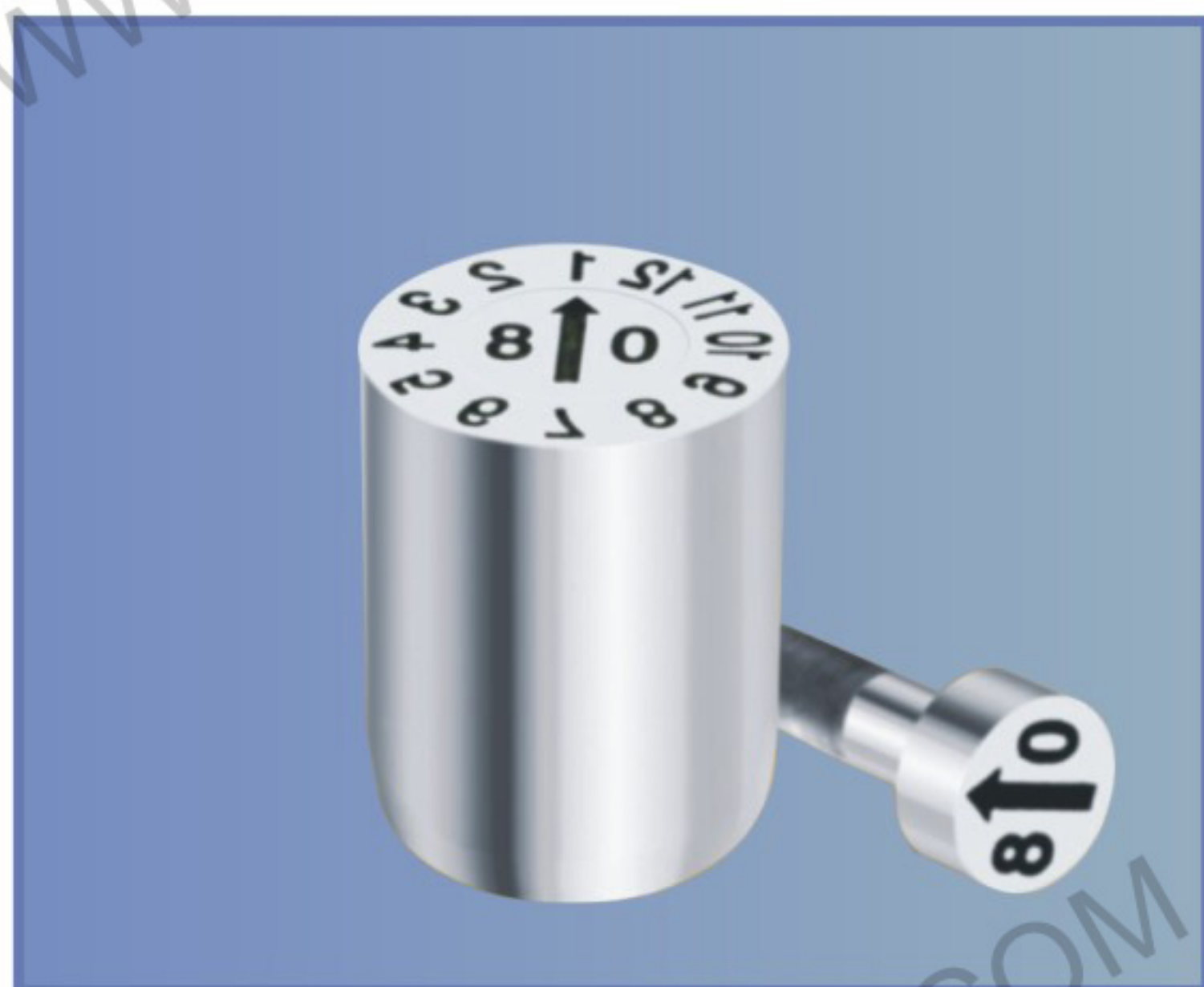


Date stamps

DME Standard Type F

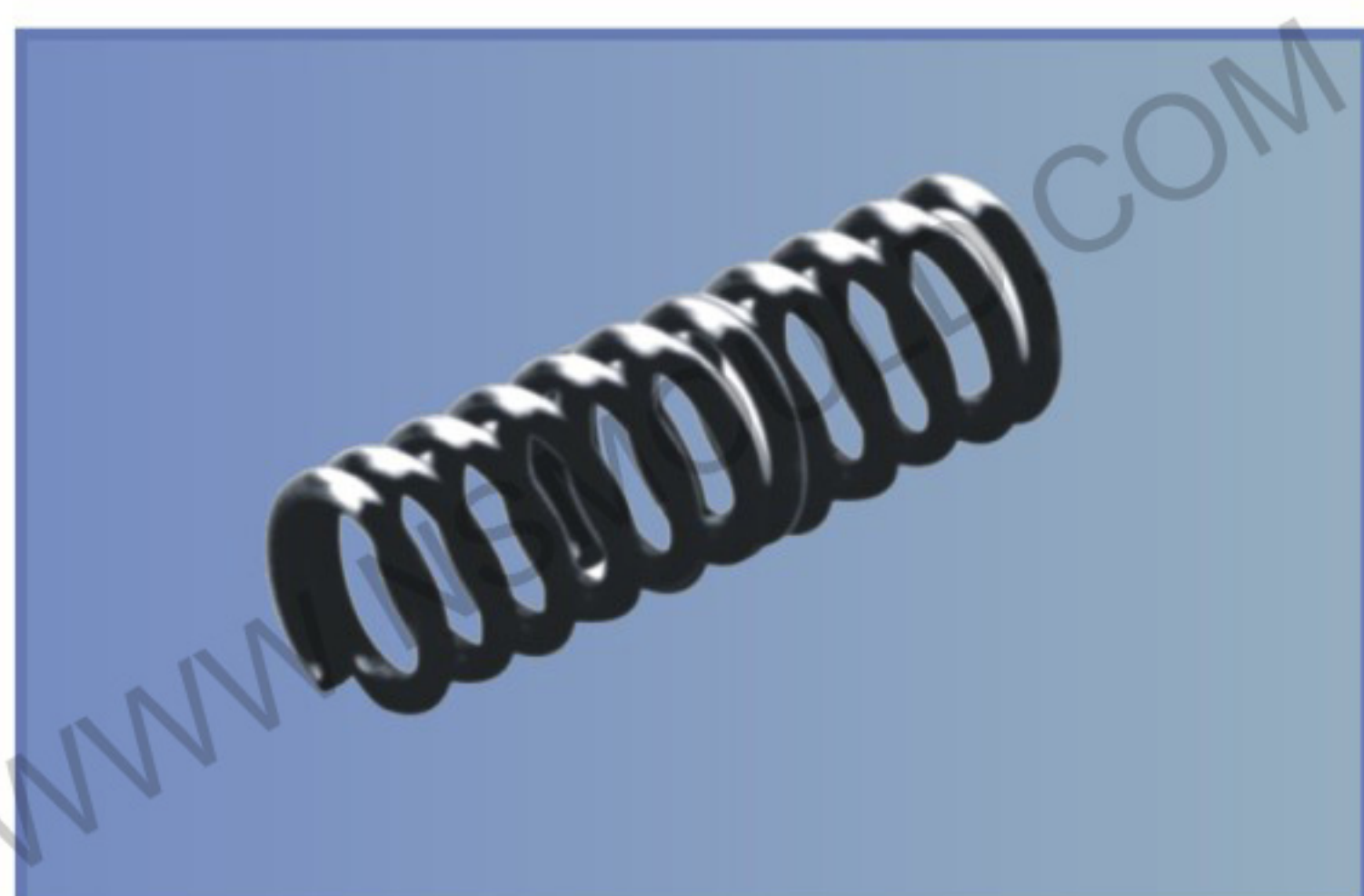
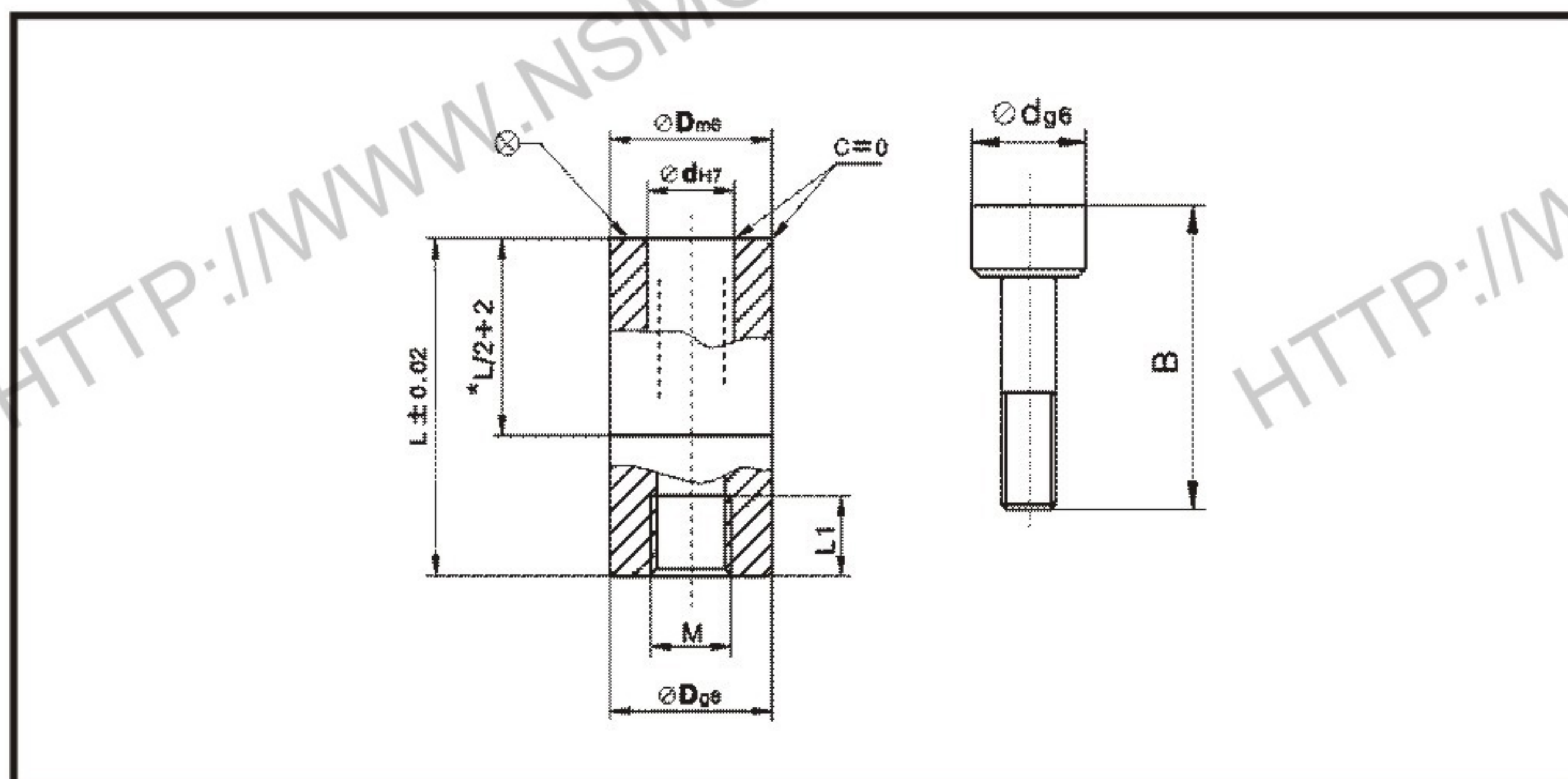


∅ D _{m6}	∅ D _{g6}	∅ d	H7	g6	L	K	M
2.6	2.6	1.4	+0.010 +0	-0.002 -0.008	4	0.9	M0.8X0.2
3	3	1.5					
4	4	2.1	+0.012 +0	+0.004 +0.012	5	1.2	M1.1X0.2
5	5						
6	6		+0.015 +0.006	-0.005 -0.014	8	2.0	M1.6X0.2
8	8	4.4					
10	10	5.2	+0.015 +0	-0.005 -0.014	10	2.5	M2.3X0.25
12	12	6.2					
16	16	8.2	+0.018 +0.007	-0.006 -0.017	12	3.0	M2.5X0.35
20	20	11.0					
					14	3.5	M3X0.35
					16	4.5	M4X0.35

Material:SUS420
Hardness:50-52HRC

D	∅2.6	∅3	∅4	∅5	∅6	∅8	∅10	∅12	∅16	∅20
OD	1.3	1.3	1.9	2.6	2.6	4.2	5	6	8	10

DME Standard Type F Long



∅ D _{m6}	∅ D _{g6}	∅ d	H7	g6	L	B	L1	M
5	5	3.1	+0.012 +0	+0.004 +0.012	17	2.0	3.5	M3
6	6							
8	8	4.6	+0.015 +0.006	-0.005 -0.014	20	14	4.0	M4
10	10							
12	12	6.4	+0.018 +0.007	-0.006 -0.017	25	17	6.0	M6
16	16	8.4						
20	20	11.0	+0.021 +0.008	-0.007 -0.020	33	22	8.0	M8

Material:SUS420
Hardness:50-52HRC

D	∅5	∅6	∅8	∅10	∅12	∅16	∅20
OD	3.0	3.0	4.5	4.5	6.0	8.0	10.0